

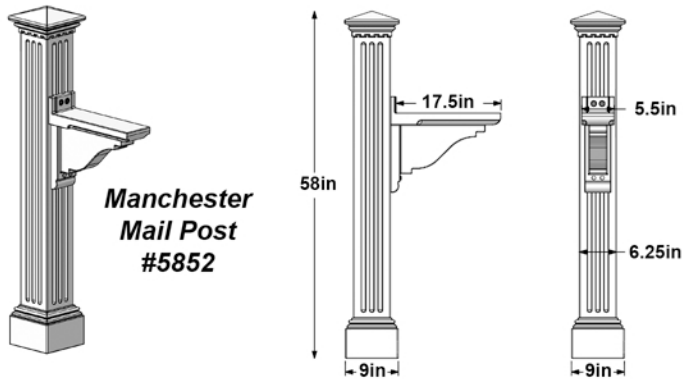
Manchester Mail Post *Model # 5852*

MIS026 r4

General Information:

- Read instructions carefully before beginning assembly.
- Identify each component from material list.
- Do not use excessive force when assembling components.
- To clean this product, for best results use a soap solution and high-pressure water.
- Missing or defective parts, please call toll free 1-866-363-8834 or email customerservice@gomayne.com.

*Customer Service Available
Weekdays 8am-5pm (EST)*



**Manchester
Mail Post
#5852**

Materials List:

Decorative Post (1)

Steel Washer (2)

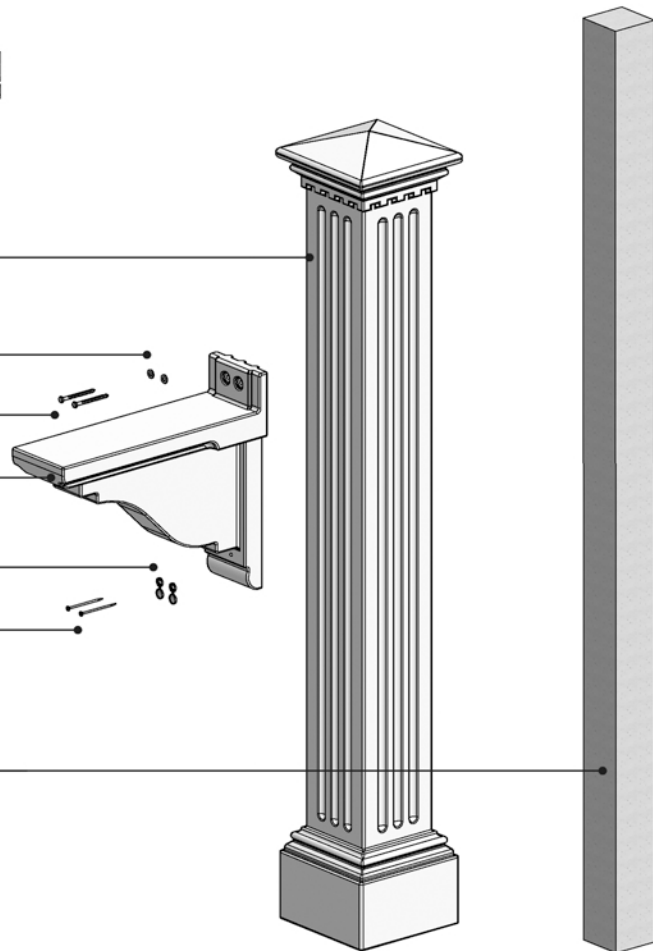
1/4" x 3" galvanized lag bolt (2)

Mailbox Support Arm (1)

Plastic Snap Cap (2)

#10 x 3" steel screw (2)

4x4 wood post not included
4x4 actual dimensions are 3.5in x 3.5in
72in length for mail post installations



TOOLS REQUIRED



Shovel



Cordless Drill



Tape Measure



7/16"



Phillips Bit



Level

IMPORTANT NOTE

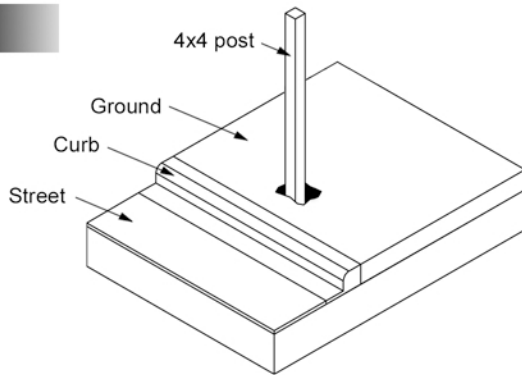
- 4x4 wood post, mailbox, and mailbox mounting hardware NOT included with any Mayne mail posts
- Recommended mailbox weight up to 16lbs, heavier mailboxes can be reinforced by securing 2 screws through the back of the mailbox directly into the post
- Please refer to local codes for mailbox installation height and setback from the curb

MAYNE[®]
Outdoor Products of Distinction
www.gomayne.com

Manchester Assembly Instructions

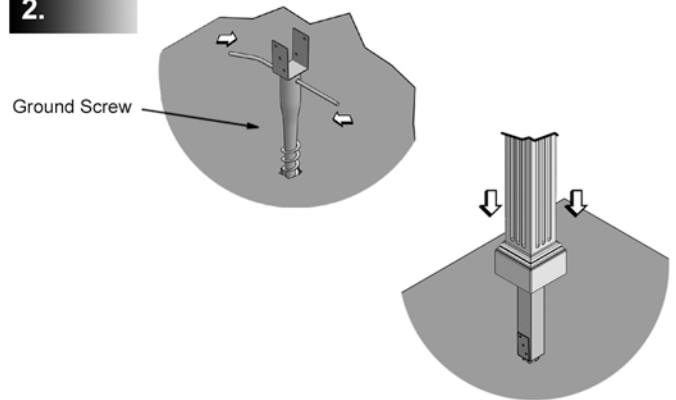
MIS026 r4

1.



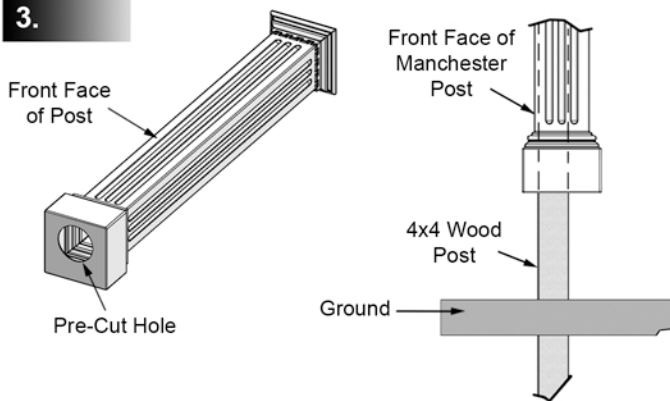
Dig a 24" deep hole in the desired location and insert a 4x4 wood post. Leave 48" exposed above ground. Fill the hole with pre-mix concrete (not included) and level the wood post. Once the concrete has cured, slide the decorative post over the wood 4x4 ensuring that the base sits flush with the ground.

2.



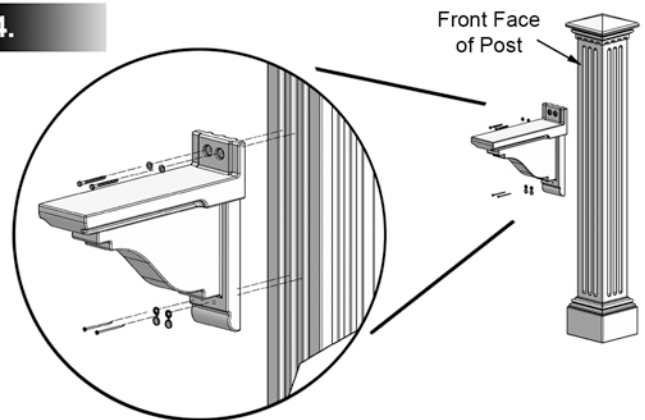
Optional Ground Screw: Twist the screw into the ground and attach a 4x4 post (approx. 48" length, not included) with the 5x lag bolts provided. Slide the decorative post over the 4x4.

3.



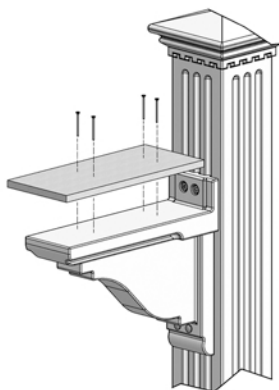
Important Note: The pre-cut hole in the bottom of the post is located closer to the front face of the post. Identify the hole location and slide the decorative post over the 4x4 as shown above.

4.



Secure the mailbox support arm to the decorative post using two 3 inch lag bolts with washers for the top holes and two 3 inch screws in the lower holes. Plastic snap caps are provided to cover the two screw heads.

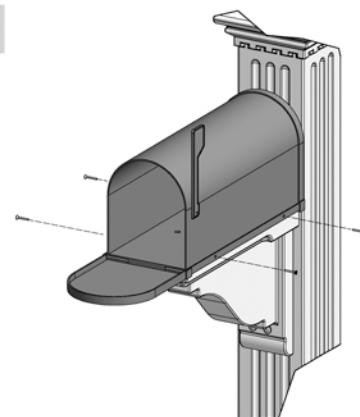
5.



Using 2 inch wood screws attach a mounting board (or bracket) to the mailbox arm. A wood core is included inside the arm which provides a solid core to fasten the screws.

TIP: A piece of plywood makes for a great mounting board and can be cut to match the specific size your mailbox.

6.



Set the mailbox on the mounting board and attach it by securing 3/4 inch screws through the holes on each side of the mailbox. (mailbox, mailbox mounting board, and screws are not included but can be purchased at your local hardware store)